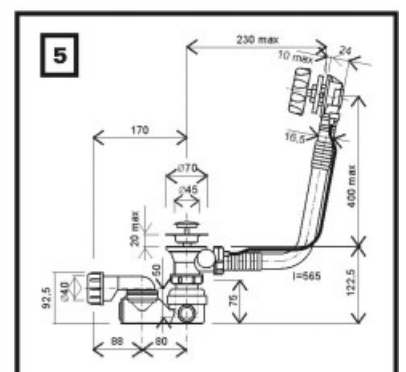
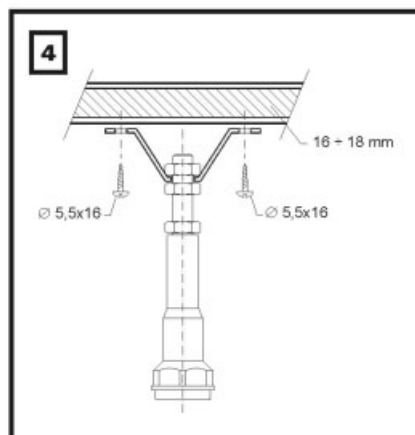
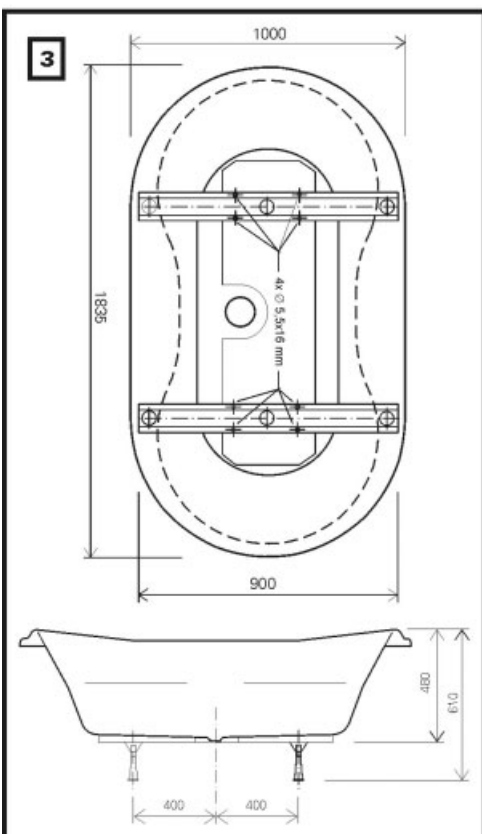
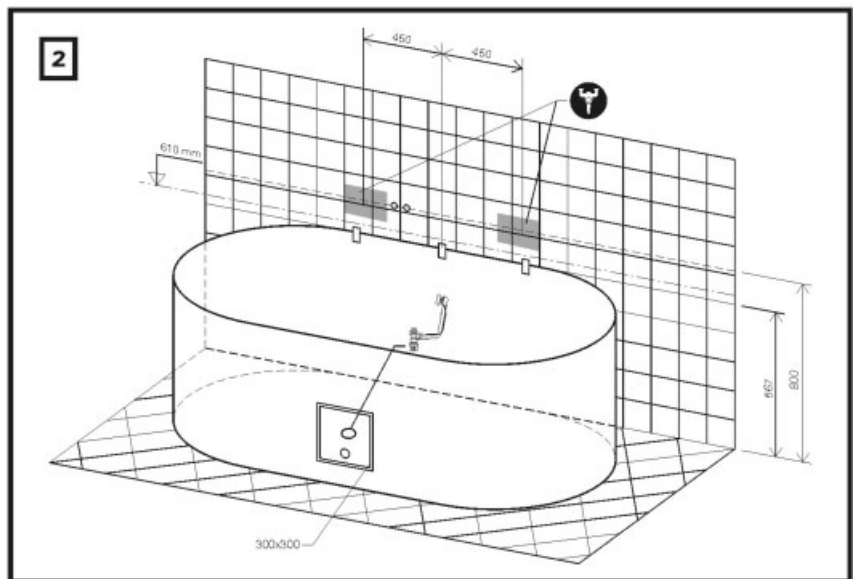
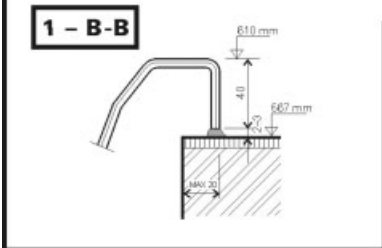
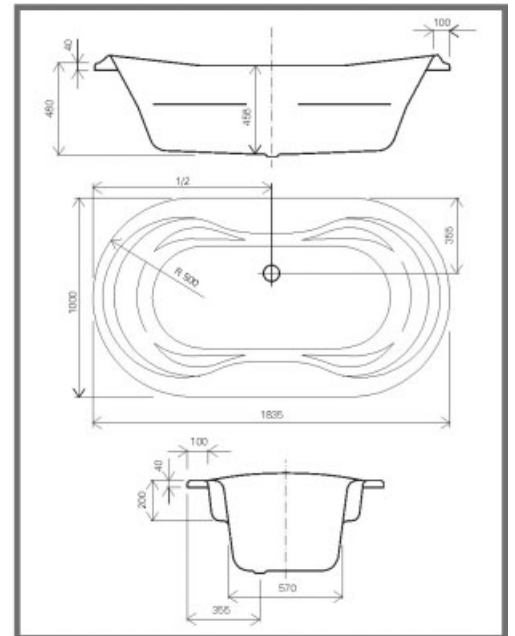
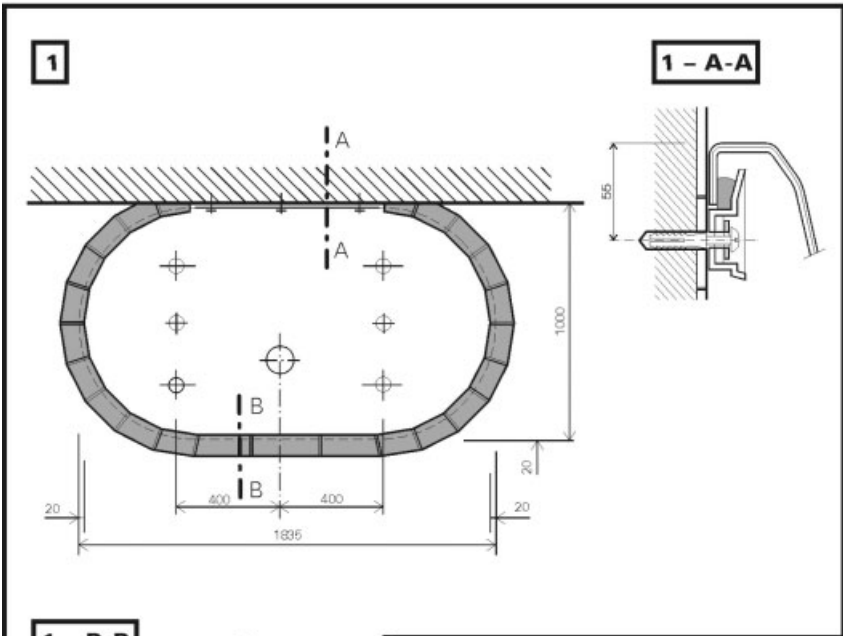
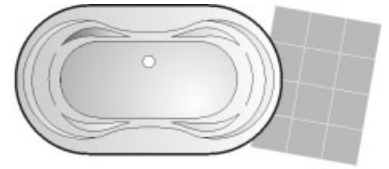


ARNICA



Depending on the type of installation into the bathroom, the bathtub can be enclosed with a front panel and with either one or two side panels, or it can be built-in and surrounded with ceramic tile.

INSTALLATION OF THE BATHTUB

A / CONSTRUCTIONAL READINESS

- The bathtub should only be installed into a completely finished and tiled bathroom with prepared plumbing. If the wall tile does not come down to floor level, it must be finished at least 150mm below the upper edge of the tub. (picture 2).
- If the bathtub is to be built-in, the inside of the surrounding wall must follow the outline of the bathtub so that it touches the outer edge of the tub (with a maximum tolerance of 20mm), and it must be 2 - 3 mm lower than the cut edge of the tub (see detailed pic. 1, detail B-B). Remember! before fully enclosing the bathtub, leave an opening in one wall for access to plumbing and siphon. A ceramic tile with magnets or a small door can cover the opening.
- The water mains can be either 3/4" or 1/2" in diameter. For water taps mounted on the wall, the head for the water pipe should be 800mm above the floor and in an appropriate area for proper water flow into the tub. With standard tub mounted taps, install the outlet pipes in an area appropriate for mounting the taps in the correct place on the tub (pic. 2).
- The drain pipe is 50mm in diameter. It should be installed near the bathtub drain so as not to interfere with the supporting legs (pic. 2).

CONTENTS OF MOUNTING KIT - SUPPORT		
1. Metal support 900mm		2 pc
2. Plastic leg M12		6 pc
3. Clip		18 pc
4. Dowel 8mm diameter		6 pc
5. Bolt for dowel 4x40mm		4 pc
6. Bolt 5.5x 16mm		4 pc
7. Drill bit 2.6mm diameter		4 pc
8. Washer		8 pc
9. Threaded rod M12x125		1 pc
10. Nut M12		4 pc

B / MOUNTING PROCEDURE FOR A BUILT-IN BATHTUB

- During the entire installation, leave the protective foil on the bathtub and work with caution.
- Turn the bathtub upside down, and place the cardboard and styrofoam packaging on the corners of the tub so that the rim of the tub and the raised headrest will not be damaged.
- Measure the metal legs of the support according to picture 3. According to the type of installation, move the legs in such a way so as not to interfere with the supporting wall. Also, take advantage of the asymmetrically placed holes in the support, which allows the support to be turned around. On the reinforced part of the bottom of the tub, mark the spots where the holes will be drilled.
- With the enclosed 2.6mm diameter drill bit, drill holes in the marked areas to a depth of 10mm.
- Assemble the support with legs and fasten it to the bottom of the bathtub (pic. 4).
- By rotating the plastic shoes, adjust the tub with feet to a height of 610mm.
- Place the tub into position and if necessary, rotate the shoes to adjust the tub to the correct height in the enclosure.
- When the tub is level in both directions, tighten the nuts on the feet.
- On the floor, outline the position for the siphon opening.
- On the tiled wall mark the true height of the upper edge of the bathtub. It must be 610mm above the floor with a tolerance of 5mm in either direction (pic.2).
- Carefully remove the bathtub and place it aside.
- Place the clips 55mm under the upper edge of the tub (555mm above floor level). The openings for the dowels should be 8mm in diameter (pic. 1).
- Attach the holders with the 4 x 40mm bolts (pic. 1 detailed A-A).
- We recommend the bathtub be fitted with the RAVAK complete drain kit (pic. 5) which may be purchased at the same time as the tub. Prepare a 40mm drainage pipe for connection to the siphon.
- Mount the drain to the bathtub according to the instructions given in the package.
- Before finally installing the bathtub, place some putty into the holders and slide the perpendicular edge of the tub to the wall (pic 1 detail A-A).
- Complete the installation and siphon connection.
- Seal the spaces between the bathtub and the tiled supporting walls.

ATTENTION!
 All acrylic bathtubs must never be permanently built-in. The supporting part of the bathtub is the reinforced bottom, on which are fitted adjustable legs. There should be a minimum space of 2-3mm between the bathtub and the surrounding tiles. This space can be filled with putty or silicon after installation of the bathtub.
(Pic. 1 - detail B-B).

ATTENTION
 Use a stop when drilling so that the acrylic on the bottom of the bathtub will not be damaged.

C / MOUNTING THE PLASTIC PANEL WITH THE PANEL KIT

When installing a bathtub with a surrounding plastic panel, follow the mounting instructions enclosed with the panel.

D / MOUNTING THE HANDLE

Follow the instructions given with the handle. Mount the handle before installing the bathtub. The bathtub can also be accessorized with a headrest

MAINTENANCE, CLEANING, GUARANTEE

If you want your bathtub to reliably serve you for a long time, please follow these recommendations:

- after each use, clean the bathtub with a liquid cleaner and a soft cloth. Never use abrasive powders or pastes.
- fill the tub first with cold, and then with increasingly warmer water.
- repair leaky water taps without delay
- the surface of the tub can be damaged with thinners, solvents, nail polish, and polish remover
- hot things such as cigarettes or a curling iron can also damage the surface of the tub
- water scale can be removed with a mixture of water and vinegar, superficial scratches can be removed with polishing compounds

The manufacturer recommends the line of RAVAK ANTICALC products: RAVAK CLEANER is used to remove old and dried on debris from glass surfaces, shower frames, enamel and acrylic bathtubs, washbasins and water taps; RAVAK DISINFECTANT a special cleaning agent with outstanding germicidal and anti-fungal effects.

The manufacturer offers a 10 year guarantee on all bathtubs, on the condition that the product is installed by a professional serviceman or company and that the bathtub is only used for the personal hygiene of adults and children.

In the case of misuse, or if the bathtub is mounted without supporting legs in a built-in enclosure, the guarantee is not valid.