

# 1000mm x 1000mm QUADRANT

**SURFACE MATERIAL:** Acrylic Capped ABS

**REINFORCEMENT:** Resin Bonded Stone

**TRAY HEIGHT:** 45mm

**PLINTH HEIGHT (OPTIONAL):** 100mm

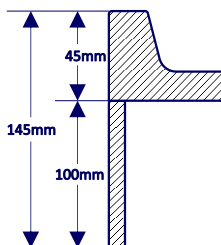
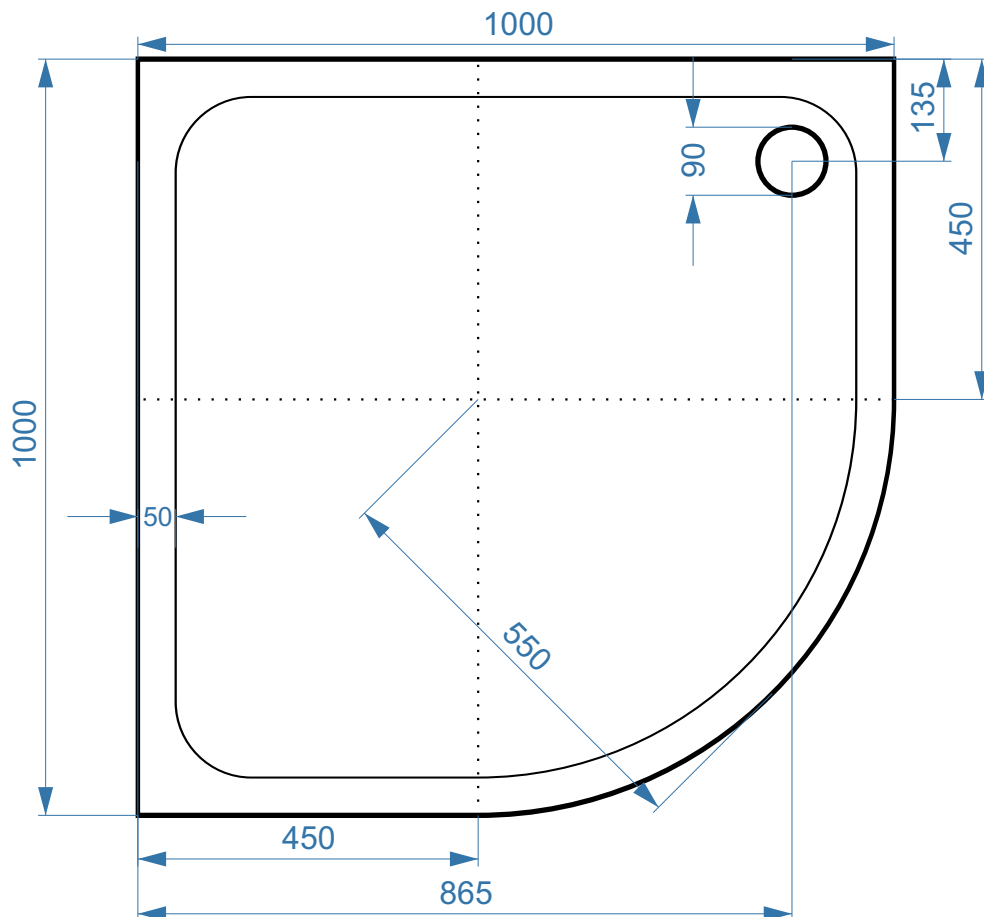
**WEIGHT:** 38kg

**CE CERT:** BS EN 14527 - Class 1 Shower Tray

**COMMODITY CODE:** 39229000

**AVAILABLE FINISHES:**

- Gloss White
- Matt Textured White
- Matt Textured Anthracite
- Matt Textured Black
- Soft Cream
- Champagne/Ivory



Optional Plinth Kit

**SPA-JET LIMITED**

17 Hawthorn Terrace, Coleraine, BT52 2BW  
 Tel: +44 (0)28 7035 7103 Fax: +44 (0)28 7032 9549  
 eMail: SpaJetLtd@btconnect.com web: www.SpaJet.co.uk  
 Co. Reg No. NI036381 VAT Reg. No. GB 432 747 351

All measurement stated in mm to tolerance of +/-5mm

