

All you need to avoid leakage problems and keep shower water fully contained

Walls and floors of showers and wetrooms need to be properly tanked to prevent damage to tiling backgrounds and substrates. This kit gives you all you need to make them fully waterproof.

USE FOR

Waterproofing WALLS and FLOORS prior to tiling in:

- Showers
- Wetrooms
- Laundry/utility rooms
- Around drainage channels/upstands/pipes/floor wastes

INTERIOR applications: industrial, commercial and domestic

WET environments

Suitable for:

- Areas subject to some movement and vibration
- Areas where dampness is a problem

NOT suitable for exterior use or in areas of total immersion (e.g. swimming pools).

KEY FEATURES

- Flexible
- Waterproof/seamless: sets in 24 hours
- Supports maximum weight of 32kg/m²

COVERAGE

This box of **BAL WATERPROOFING KIT FOR SHOWERS** typically covers up to 4.5m²

Contents are sufficient for one domestic shower unit.

SURFACE PREPARATION

- Ensure surfaces are dry, sound, and free from grease, dust and any other contamination
- Before tanking, make good any uneven areas in the background/base
- Fill voids or gaps with suitable filler or sealant, and allow to cure
- Bridge gaps up to 1.5mm with **BAL WP1 POLYESTER MATTING** or **TAPE**

Before application of the Tanking System, note the following for **SUITABLE SURFACES** including:

Concrete; cement:sand screeds and rendering; plaster

- Allow the following drying times for new structures:

Concrete/concrete block walls/clay brickwork: 6 weeks

Cement:sand screed: 3 weeks

Cement:sand rendering: 2 weeks (3 weeks for swimming pools)

BAL QUICKSET CEMENT:sand renderings and screeds: 24 hours

Plaster: 4 weeks

Note: For Anhydrite screeds: seek manufacturers' advice.

Partition walls; plasterboard; fibreboard; timber floors

- Ensure these are well-braced with adequate ventilation from behind or below – and sufficiently strong/rigid to support weight of tiling



waterproofing kit

FOR SHOWERS

The Complete Waterproofing System

- All you need – in one box
- Easy to use – just like painting
- Totally waterproof
- Flexible
- Suitable for power showers and wetrooms



most substrates

wet – interior

Ideal for wetrooms
Waterproofs up to 4.5m²

Kit contents

- BAL PRIME APD: 500ml
- BAL WP1 POLYESTER TAPE (100mm): 10 metres
- BAL WP1 POLYESTER MATTING: approx. 1m²
- BAL WP1 WATERPROOF COATING: 4.5kg

All BAL products are supplied with a 25 year product guarantee. Contact **BAL Marketing Department** for full details.

NOT suitable for exterior use or in areas of total immersion (e.g. swimming pools).

BUILDING ADHESIVES LTD

Longton Road, Trentham
Stoke-on-Trent, ST4 8JB, England
www.bal-adhesives.com

Sales

Tel: +44 (0) 1782 591160

Fax: +44 (0) 1782 591131

Technical

Tel: +44 (0) 1782 591120 or

Tel: +44 (0) 845 600 1 222

Fax: +44 (0) 1782 591121

Unit 6 Plato Business Park
Damastown Industrial Estate
Damastown, Dublin 15, Ireland

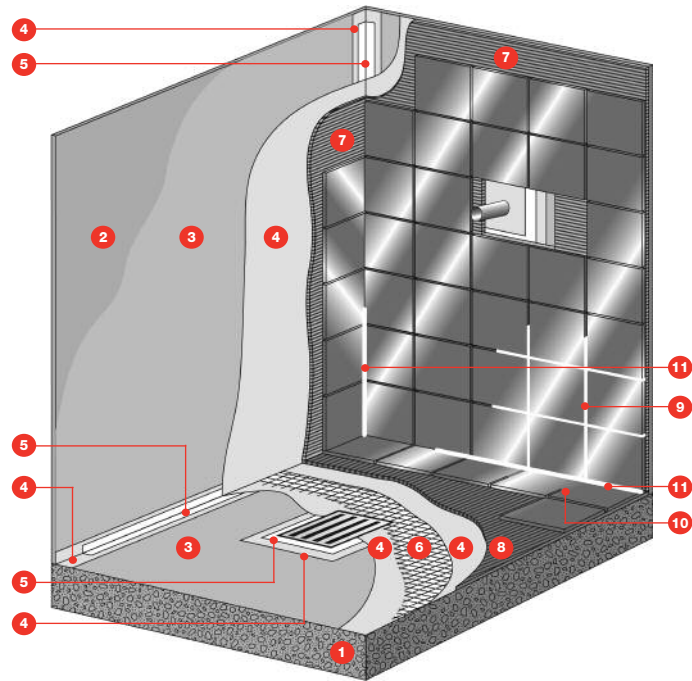
Tel: +353 (0) 1 8222 776

Fax: +353 (0) 1 8222 777

Powerspec
www.powerspeconline.com

waterproofing kit

FOR SHOWERS



key

- 1 Concrete base
- 2 Plasterboard
- Waterproofing Kit for Showers:*
- 3 BAL PRIME APD
- 4 BAL WP1 WATERPROOF COATING
- 5 BAL WP1 POLYESTER TAPE
- 6 BAL WP1 POLYESTER MATTING

Suggested products for subsequent tiling:

- 7 BAL WHITE STAR Tile Adhesive for Walls
- 8 BAL SINGLE PART FLEXIBLE Tile Adhesive for Floors
- 9 BAL MICROFLEX GROUT
- 10 BAL MICROFLEX WIDE JOINT GROUT
- 11 BAL MICROSEAL Silicone Sealant

step one



1. Prime all surfaces with **BAL PRIME APD** and allow to dry.

step two



2. Using a suitable brush or steel float, apply **BAL WP1 WATERPROOF COATING** at:

- Internal and external corners of walls/partitions
- Wall junctions with bases/upstands/columns
- At pipe penetration points/drainage channels/outlets
- Junctions of different bases/background materials
- Cracks and joints in background/base

step three



3. Reinforce with **BAL WP1 POLYESTER TAPE**.

step four



4. Apply second coat of **BAL WP1 WATERPROOF COATING** over the **BAL WP1 POLYESTER TAPE**.

step five



5. Using brush or steel float, apply **BAL WP1 WATERPROOF COATING** to walls at a max. 2mm thickness.

step six



6. Apply **BAL WP1 WATERPROOF COATING** to floor.

If applying in heavy duty wet areas (e.g. communal showers and industrial wet process areas) and/or where some vibration or deflection in the base may be expected (e.g. timber bases):

step seven



7. Reinforce with **BAL WP1 POLYESTER MATTING** (may be cut to correct size with scissors).

step eight



8. Bed matting into coating and apply a second layer of **BAL WP1 WATERPROOF COATING** over top.

step nine



9. Allow membrane to dry for minimum 24 hours before tiling. When dry, background is suitable for BAL ready-mixed or cementitious powder adhesives. No priming required.

See inside for easy-to-follow, step-by-step instructions

application

IMPORTANT NOTE: Do NOT use in temperatures below 5°C or in damp conditions.

NOTE: **BAL WP1 WATERPROOF COATING** does not provide a wearing surface and is designed for use with ceramic tiling.